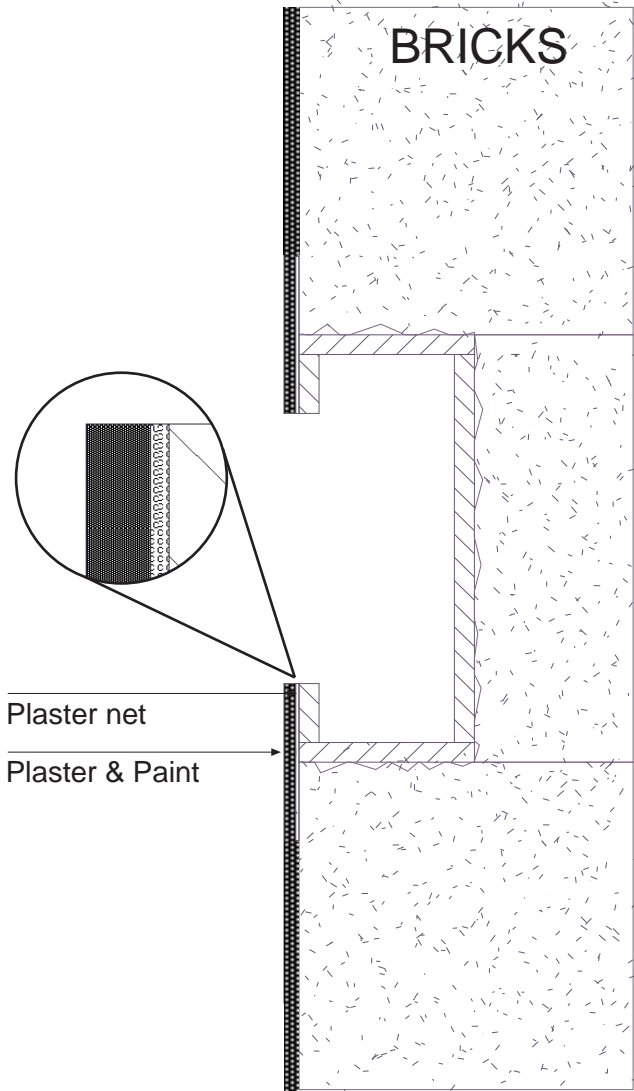




HARMONY BRICK WALL MOUNTING CABINET SO34 / HO34

SIDE VIEW / ILLUSTRATION NO 1



MATERIALS

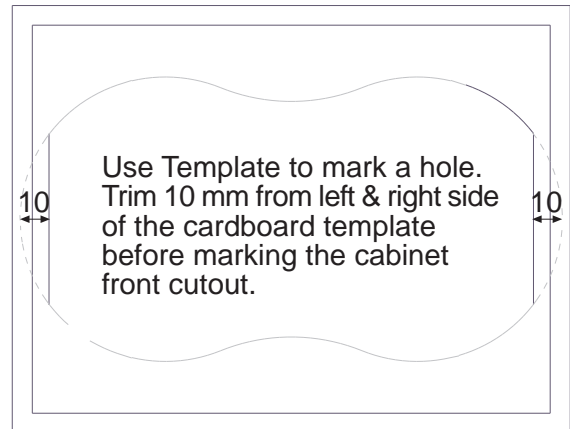
12 mm playwood
Plaster net

INSTRUCTION

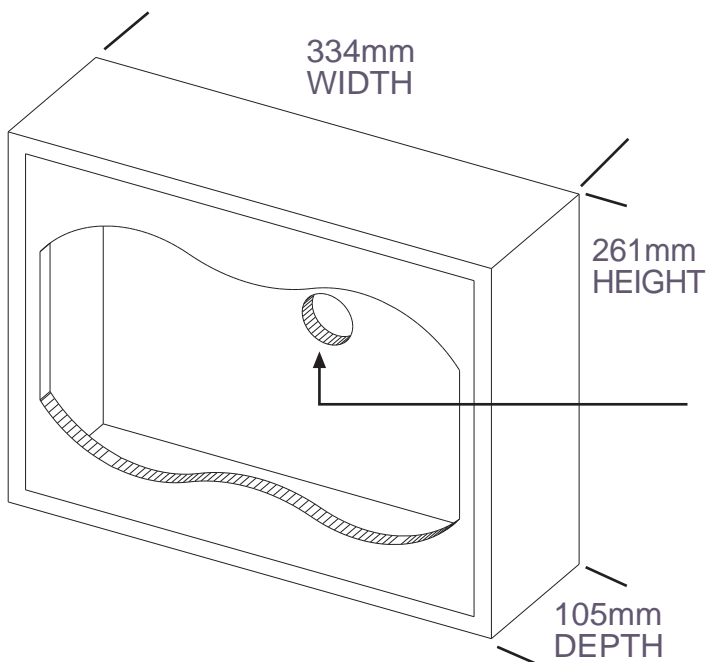
A. Cabinet must be mounted flush with the naked wall (as seen in illustration 1).

B. To avoid creaks in the finished wall or paint use plasterer net (as seen in illustration 1).

FRONT VIEW / ILLUSTRATION NO 2



TOP VIEW / ILLUSTRATION NO 3



CABLES INLET

Make a hole 35 - 50 mm in diameter for the speakers cables.