



TiCW 1058Ft

Titanium Ultimate Woofer

Ø 10", Ø 5.1" voicecoil, 8Ω



SPECIFICATIONS

General Data

Overall Dimensions	DxH	263mmx148.5mm(10.35"x5.84")
Nominal Power Handling (DIN)	P	600W
Transient Power 10ms		3,000W
Sensitivity 2.83V / 1M		87 dB SPL
Frequency Response		See graph
Cone Material		Composite cellular fiber
Net Weight	Kg	7.0 kg

Electrical Data

Nominal Impedance	Z	8Ω
DC Resistance	Re	6.3Ω
Voice Coil Inductance @ 1KHz	LBM	0.52 mH

Voice Coil and Magnet Parameters

Voice Coil Diameter	DIA	130 mm (5.1")
Voice Coil Height		33 mm (1.4")
HE Magnetic Gap Height	HE	12 mm (0.47")
Max. Linear Excursion	X	± 10.5mm (0.45")
Voice Coil bobbin		Titanium
Voice Coil Wire		Hexatech™ Aluminum
Number Of Layers		2
Magnet System Type		High Flux Double Ferrite Vented
B Flux Density	B	0.62 T
BL Product	BXL	15.7 N.A

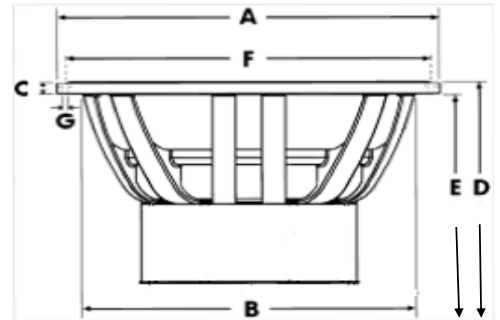
T-S Parameters

		Small Signal	1v
Suspension Compliance	Cms		0.48 mm/N
Mechanical Q Factor	Qms		3.58
Electrical Q Factor	Qes		0.35
Total Q Factor	Qts		0.3
Mechanical Resistance	Rms		3.6 kg/s
Moving Mass	Mms		81.2 gr
Eq. Cas Air Load (liters)	VAS		82.0 Lt.
Resonant Frequency	Fs		25 Hz
Effective Piston Area	SD		343 cm ²

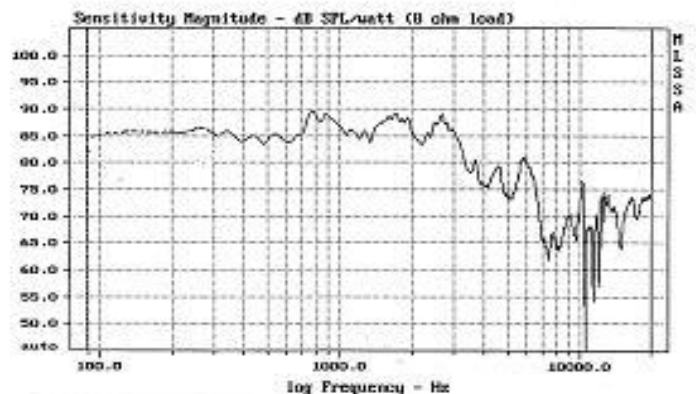
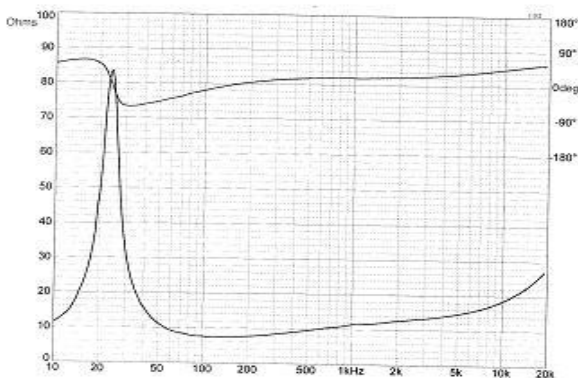
FEATURES

- * Uniflow™ Aluminum diecast chassis
- * High flux double Ferrite magnet system
- * Coppersleeve Neolium™ Motor
- * 5.1" Large Hexatech™ Aluminum voice coil
- * Titanium coil bobbin
- * One piece paper cone/center dome
- * Accucenter™ self centering cone assembly

Unit Dimintions



A - Overall diameter	263mm
B - Cut out diameter	234mm
C - Flange thickness	6.5mm
D - Overall height	148.5mm
E - Basket/magnet depth	142mm
F - Mounting holes location diamete	253mm
G - 6 Mounting holes, at 60° interval, inner hole diameter	Ø 5mm



Measured on IEC baffle using Bruel & Kjaer 3144 model microphone.

Morel operate policy of continuous product design improvement, consequently specifications are subject to alteration without prior notice.