



NEW



# Integra 424

## Hybrid Integra Coaxial

Ø 4", Ø 2.1" voicecoil, 4Ω

### SPECIFICATIONS

#### General Data

	DxH	Tweeter	Woofers
Overall Dimensions		118.5 mm(4.6")x 55 mm(2.1")	
Nominal Power Handling (DIN)	P	60W > 2500Hz , 12dB	
Transient Power 10ms		200W	500W
Sensitivity 2.83V/1M		89dB	88dB
Frequency Response		See graph	
Cone/Dome Material		Soft Dome	Composite Paper
Net Weight	Kg	0.49	

#### Electrical Data

	Z	Tweeter	Woofers
Nominal Impedance		4Ω	4Ω
DC Resistance	Re	3.5Ω	3.0Ω
Voice Coil Inductance @ 1KHz	LBM		0.15mH

#### Voice Coil and Magnet

	DIA	Tweeter	Woofers
Voice Coil Diameter		28 mm	54 mm
Voice Coil Height		2.0 mm	10mm
HE Magnetic Gap Height	HE	2.5mm	4mm
Max. Linear Excursion	X	±0.25mm	±3.0mm
Voice Coil Former			Aluminum
Voice Coil Wire		Copper	Hexatech™ Aluminum
Number Of Layers			2
Magnet System Type		Hybrid™ Neodymium/Ferrite	
B Flux Density	B		0.85 T
BL Product	BXL		4.32 N.A

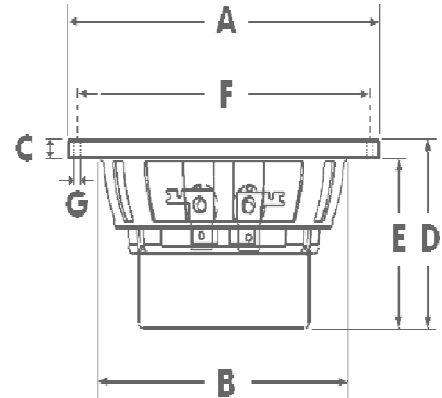
#### T-S Parameters

		Tweeter	Woofers
Suspension Compliance	Cms		0.35mm/N
Mechanical Q Factor	Qms	3.5	2.47
Electrical Q Factor	Qes	2.73	0.6
Total Q Factor	Qts	1.53	0.48
Mechanical Resistance	Rms		1.52 Kg/s
Moving Mass	Mms		5.0 g
Eq. Cas Air Load (liters)	VAS		2.0 Lt
Resonance Frequency	Fs	1100 Hz	120 Hz
Effective Piston Area	SD	6.15 cm <sup>2</sup>	63 cm <sup>2</sup>

### FEATURES

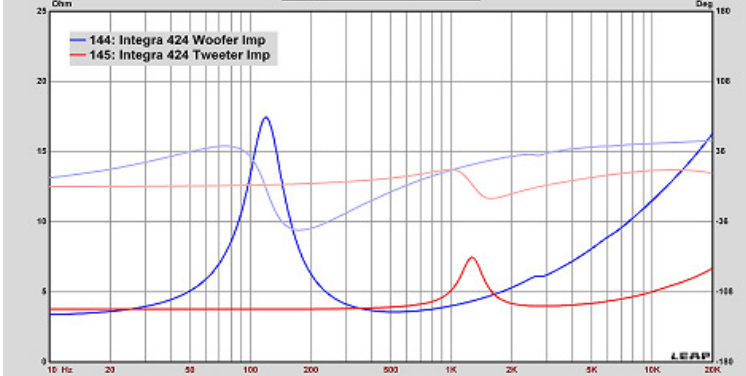
- ▶ Acuflex™ Hand Coated Soft Dome
- ▶ 2.1" Large Hexatech™ Aluminum Voice Coil
- ▶ Hybrid™ Neodymium/Ferrite magnet
- ▶ Time aligned tweeter-woofer configuration
- ▶ High power handling

### Unit Dimensions

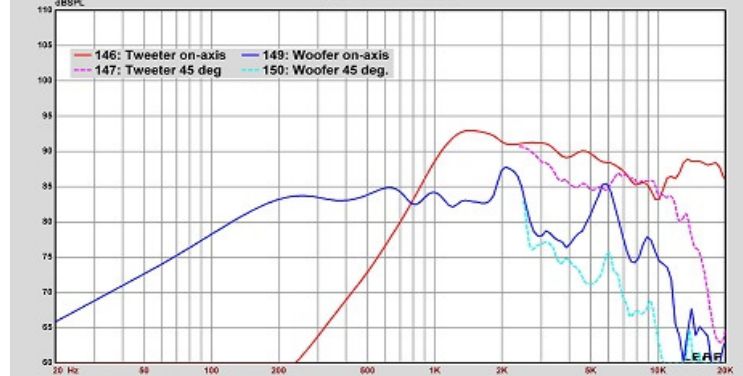


A - Overall diameter	118.5mm
B - Cut out diameter	Ø 94mm
C - Flange thickness	5.4 mm
D - Overall height	55 mm
E - Basket depth	50 mm
F - Mounting holes location diameter	110 mm
G - 4 Mounting holes, at 90° interval, inner hole diameter	Ø 3.4 mm

Impedance vs Freq



SPL vs Freq



Driver is mounted rigidly in free air with no baffle or enclosure. Input signal is a stepped sinusoidal at 1VRMS. Impedance is measured using constant-voltage method. No smoothing was applied.

Driver was mounted rigidly on an IEC baffle. Microphone distance is 0.5m, input voltage 2.83VRMS and normalized to 1m. 1/12 octave smoothing was applied.