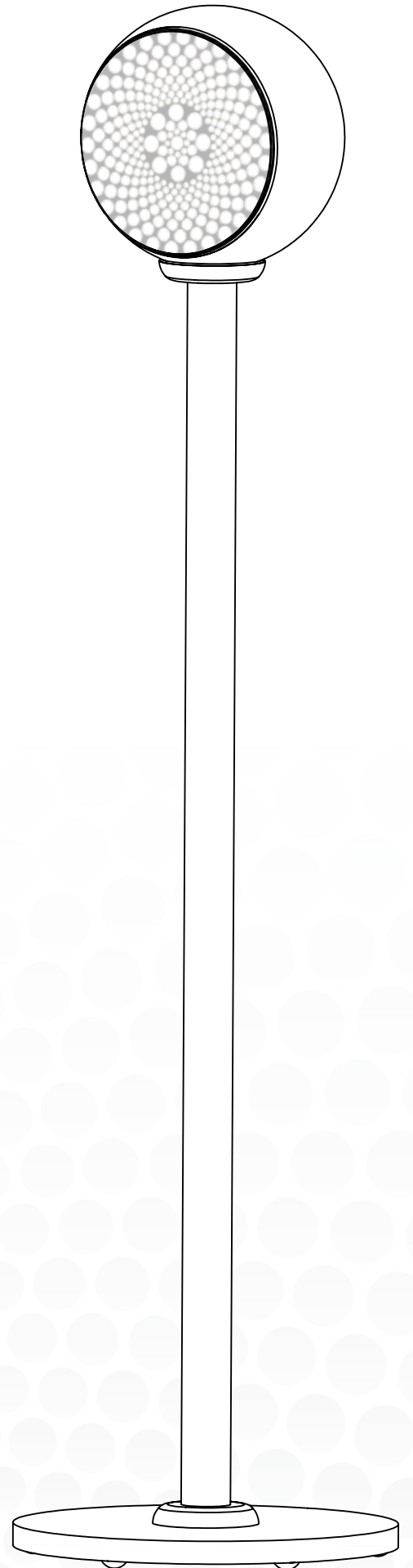




# ST 80

Satellite speaker stand

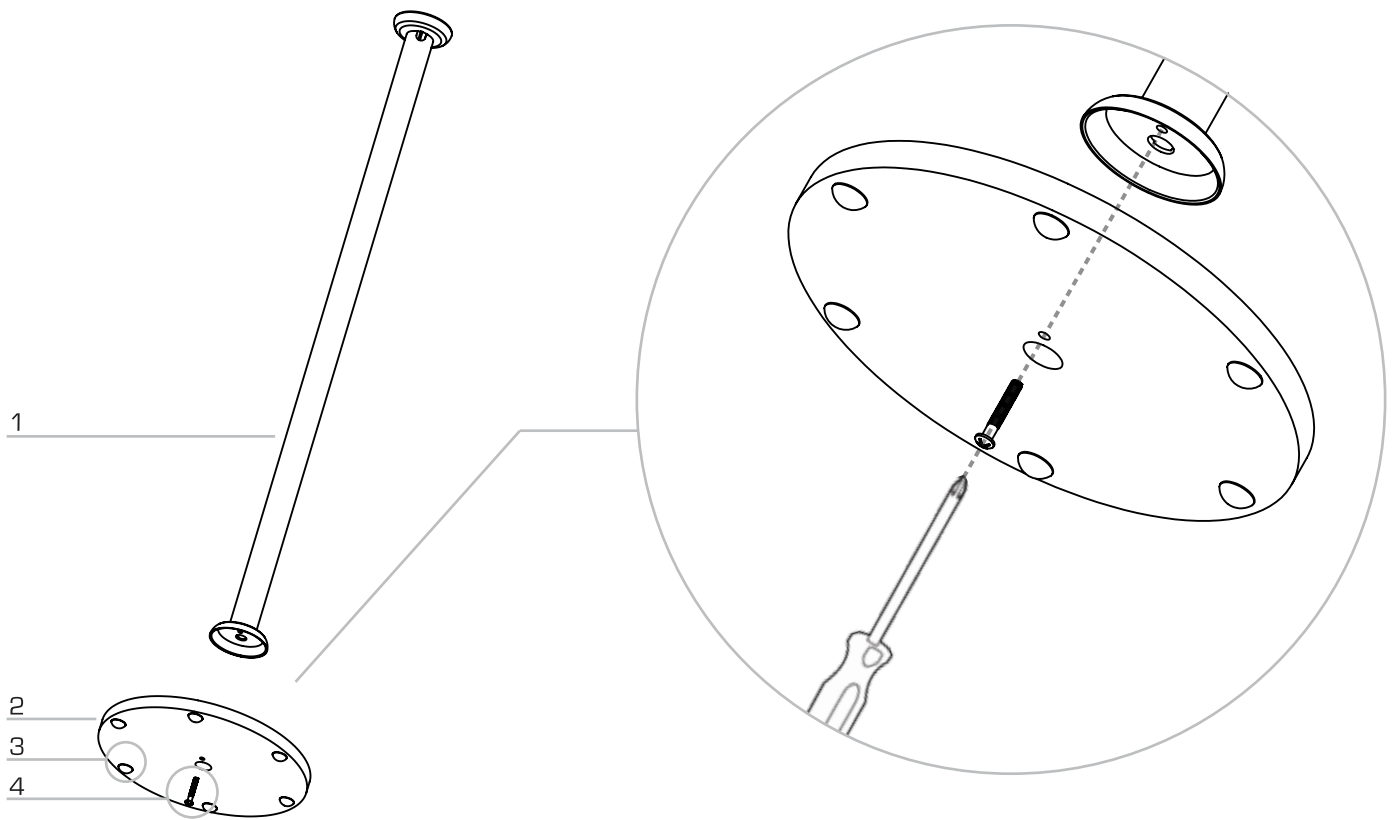
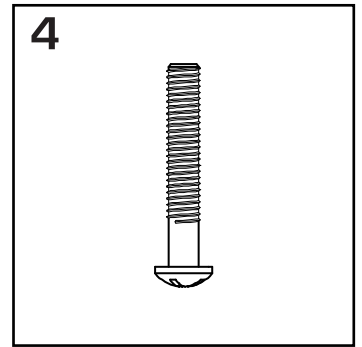
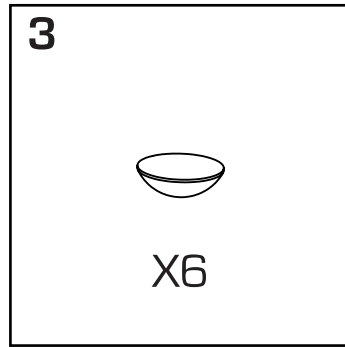
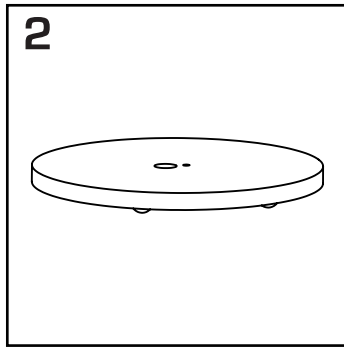
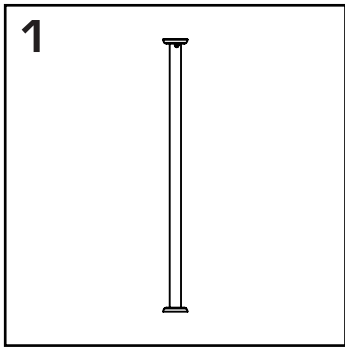
USER MANUAL





# ST 80

## Satellite speaker stand



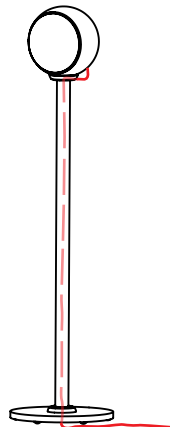
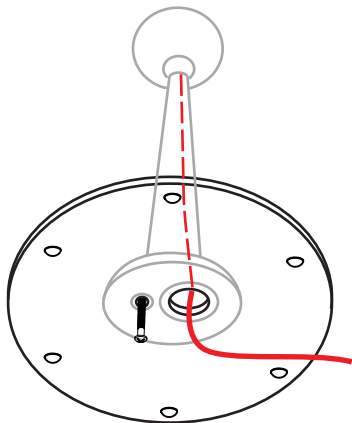
### DIMENSIONS

General Stand Height **794mm**

Glass Bass Diameter **235mm**

Aluminum Pole diameter **30mm**

### Wire management



### Magnetic connection

