



CAT 304

Classic Advanced Tweeter

Ø 104mm, 4Ω

SPECIFICATIONS

General Data

Overall Dimensions	DxH	104mm(4.09")x46mm(1.81")
Nominal Power Handling (DIN)	P	200W
Transient Power 10ms		1000W
Sensitivity 2.83V/1M		93 dB SPL
Frequency Response		1,600-25,000 Hz
Cone Material		Acuflex hand coated soft dome
Net Weight	Kg	0.575

Electrical Data

Nominal Impedance	Z	4Ω
DC Resistance	Re	4.2Ω
Voice Coil Inductance @ 1KHz	LBM	0.047mH

Voice Coil and Magnet Parameters

Voice Coil Diameter	DIA	28mm
Voice Coil Height		2.7mm
HE Magnetic Gap Height	HE	2.5mm
Max. Linear Excursion	X	
Voice Coil Former		Aluminum
Voice Coil Wire		Hexatech™ Aluminum
Number Of Layers		2
Magnet System Type		Ferrite vented
B Flux Density	B	
BL Product	BXL	

T-S Parameters

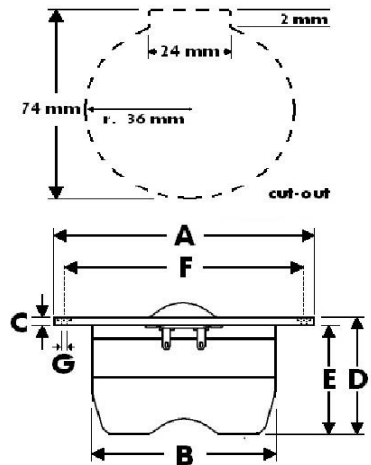
Small Signal 1 V

Suspension Compliance	Cms		
Mechanical Q Factor	Qms		
Electrical Q Factor	Qes		
Total Q Factor	Qts		
Mechanical Resistance	Rms		
Moving Mass	Mms	0.44 g	
Eq. Cas Air Load (liters)	VAS		
Resonant Frequency	Fs	650 Hz	
Effective Piston Area	SD	6 cm ²	

FEATURES

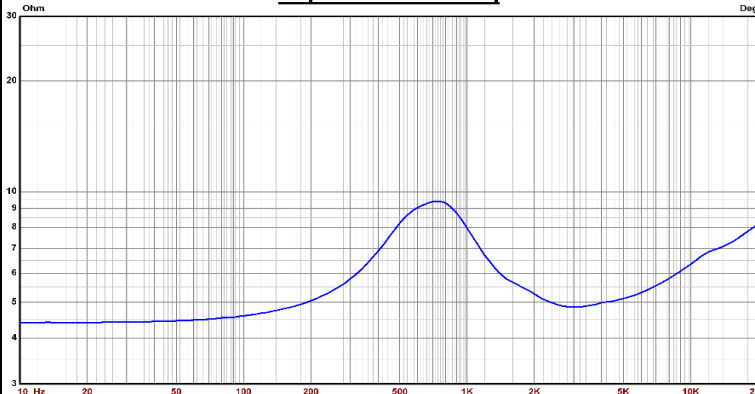
- * 104mm aluminum face plate
- * Large Hexatech™ Aluminum voice coil
- * Replaceable Acuflex™ dome / coil assembly
- * Ferro fluid cooled
- * High power handling
- * Sturdy gold plated input tags

Unit Dimensions

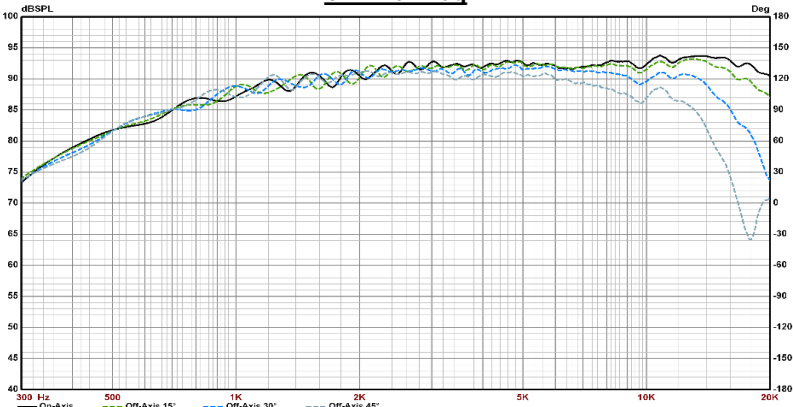


A - Overall diameter	104mm
B - Magnet/Chamber diameter	72mm
C - Flange thickness	3mm
D - Overall height	46mm
E - Magnet/Chamber depth	43mm
F - Mounting holes location diameter	94mm
G - 3 Mounting holes, at 120° interval, inner hole diameter	Ø 3.7mm
	h 1mm, Ø 7mm pocket

Impedance vs Freq



SPL vs Freq



Measured on IEC baffle using Bruel & Kjaer 3144 model microphone.

Morel operate policy of continuous product design improvement, consequently specifications are subject to alteration without prior notice.